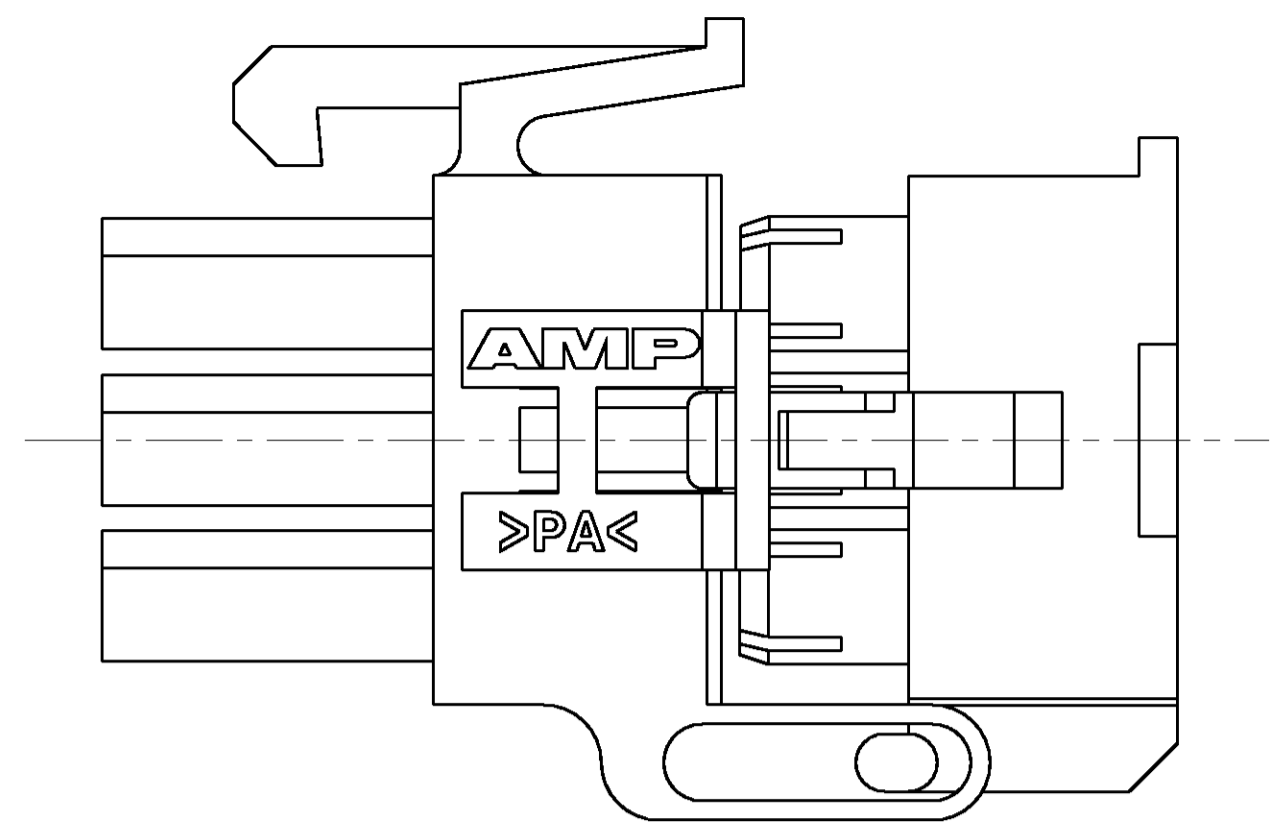
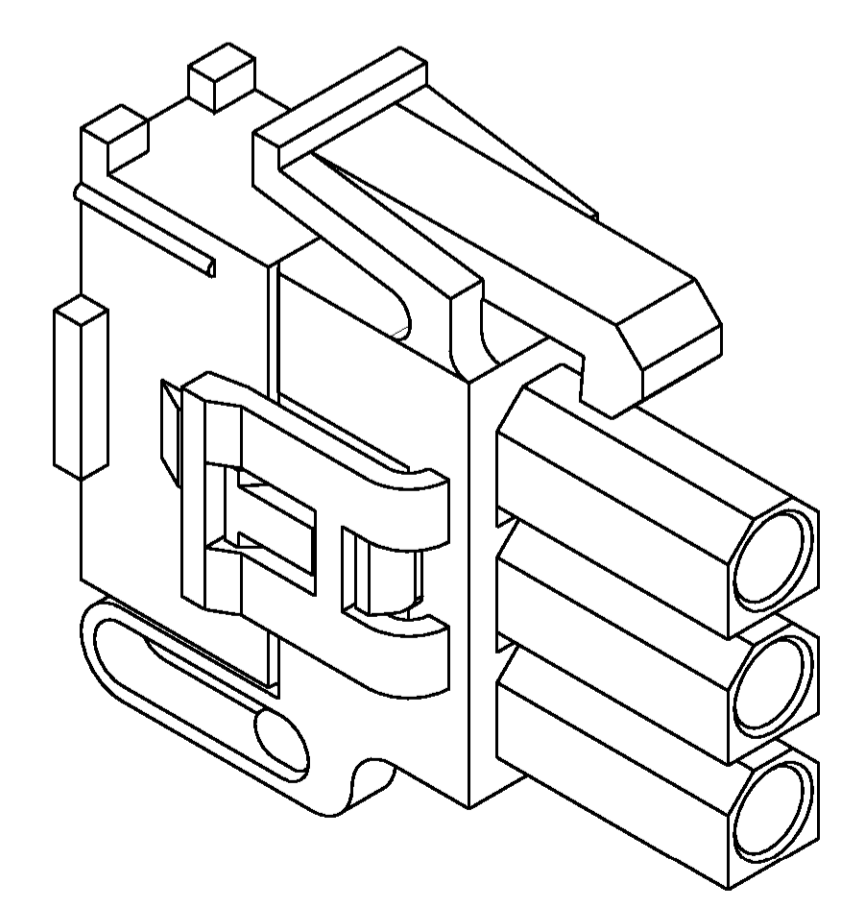
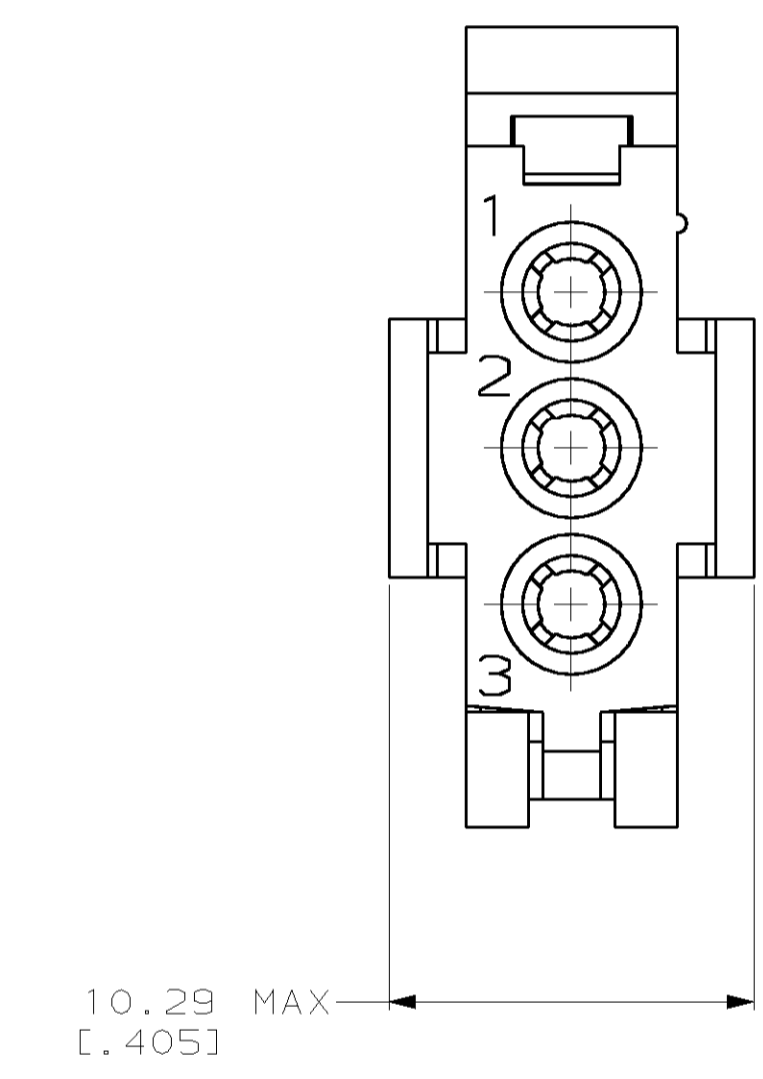
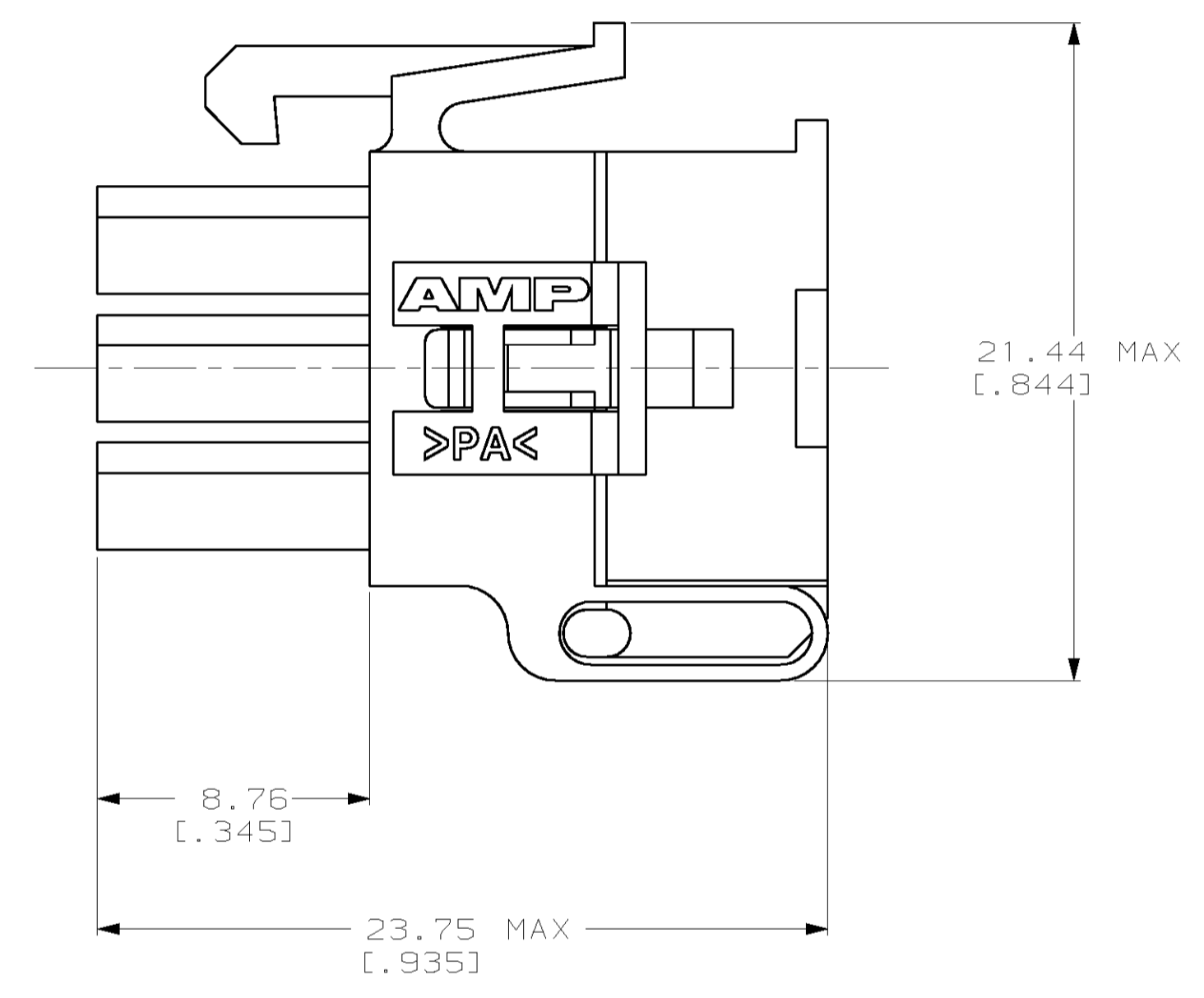
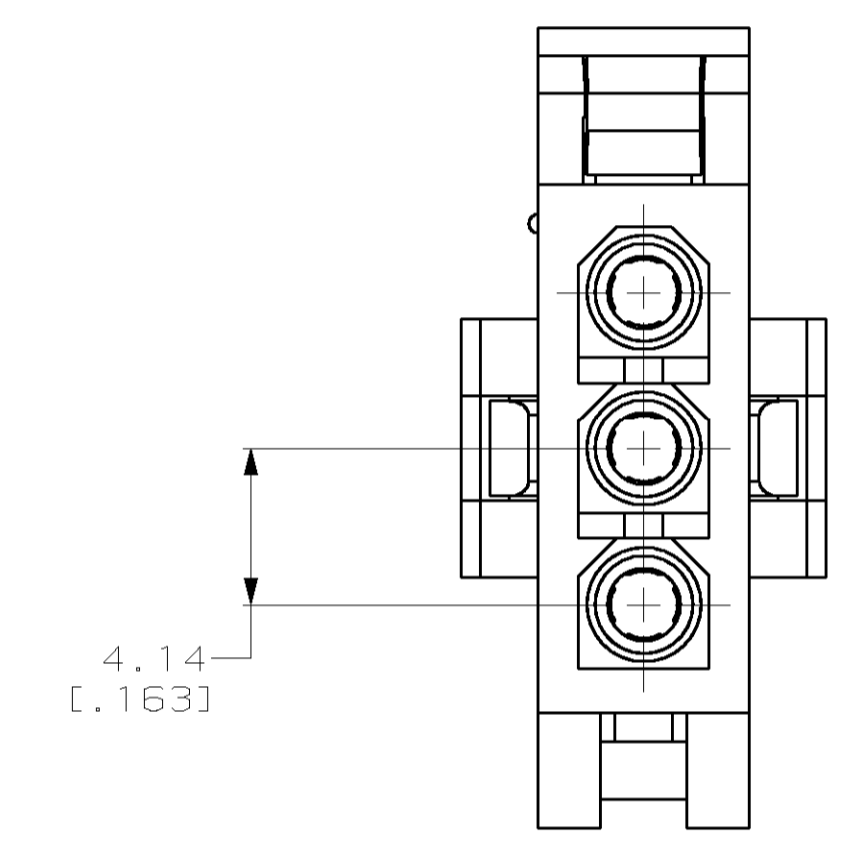


LOC	DIST	REVISIONS			
F	CHR	DESCRIPTION	DATE	OWN	APVD
B		REV PER EC 061B-0094-99	23-SEP-99	KW	KC



PRE-STAGED CONDITION

1. DIMENSIONS IN BRACKETS ARE IN INCHES.



3-DIMENSIONAL MODEL
NTS

794239-1
PART NUMBER



THIS DRAWING IS A CONTROLLED DOCUMENT.		DWN K. WHITAKER	5-09-97	AMP AMP Incorporated Harrisburg, PA 17105-3608
DIMENSIONS:		CHK R. SWING	5-09-97	
mm	TOLERANCES UNLESS OTHERWISE SPECIFIED:	APVD S. ORSTAD	5-09-97	NAME PLUG, 3 CIRCUIT, MINI UNIVERSAL MATE-N-LOK™ 2
0 PLC ±	1 PLC ±	PRODUCT SPEC		SIZE CAGE CODE DRAWING NO
2 PLC ±0.13 [0.005]	3 PLC ±	APPLICATION SPEC		RESTRICTED TO
4 PLC ±	FINISH	WEIGHT		A1 00779 C-794239
ANGLES	40°±30°	CUSTOMER DRAWING	SCALE 5:1	SHEET 1 OF 1
MATERIAL NYLON, UL 94V-2,NATURAL				REV B